

SS12^{CONNECT} miniature photocell



Overview

- A highly effective miniature photocell
- Pioneering push and click technology creates a faster, improved installation
- High accuracy and consistency when switching
- Includes a special lens arrangement to maximise acceptance angle
- Maintenance and upgrade process are simplified and more efficient due to new connector

Specification

- Superior quality components throughout
- Includes a predictive load transfer switching system to minimise switching stresses
- Electro Magnetic Relay Load Switching
- VDR Surge Suppression
- Sensor type: BG Glass Filtered Photodiode
- High accuracy and consistency when - switching
- IP classification of IP66 when correctly fitted
- Compliance: EN 55015, EN 61000, EN 61347, EN61547 (applicable parts thereof)

Options*

- Bespoke wiring looms

*Contact Lucy Zodion for options

Construction

Casing	UV stable, UL94 V-2 flame retardant impact resistant polycarbonate
Device connections	0.75mm ² tri-rated cable - Live in, Live out. 0.5mm ² tri-rated cable - neutral Connected with push fitting

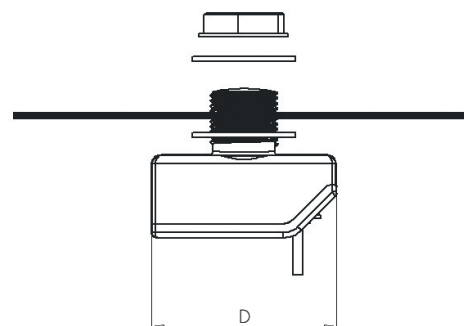
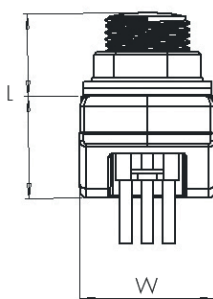


SS12^{CONNECT} miniature photocell



Model	SS12C	SS12CHT	SS12CHD
Type	Miniature	Miniature High Temperature	Miniature Heavy Duty
Electronic EM Relay Load Switching	Y	Y	Y
Supply Voltage 50/60Hz AC	198-264	198-264	198-264
70 Lux Switch-On Level	Yes	Yes	Yes
55 Lux Option	Yes	Yes	
35 Lux Option	Yes	Yes	
Switching Differential	1:0.5 NEG	1:0.5 NEG	1600
Maximum total load for discharge lighting (eg: HPS, MH) (watts)	500	500	1200
LED	250	250	600
Maximum total load for incandescent lighting (watts) / Maximum VA	1200	1200	1200
Switching Delay In Seconds	10 - 30	10 - 30	10 - 30
Fixing hole diameter	20mm	20mm	20mm
Max Operating Ambient Temp Range (°C)	-20 / +75	-15 / +105	-20 / +75
IP Rating	IP66 installed (Potted version available)	IP66 installed (Potted version available)	IP66 installed (Potted version available)
VDR Voltage Suppression	Yes	Yes	Yes
Compliance	EN 55015, EN 61000, EN 61347, EN61547 (applicable parts thereof)		
Weight	58g	58g	58g
Sensor Drift	Negligible	Negligible	Negligible

Dimensions	Size (mm)
Body length (L)	53.5
Body width (W)	31.5
Body height (D)	44



TDSS12CTDS0517V2