

VIZION DALI Node (Conduit)

20mm fixing hole DALI Node (Conduit)

Wireless street lighting control

The Vizion® DALI Node (Conduit) is designed for street lighting columns with 20mm wired connection.

Connect to either new street lighting systems, or retrofit to existing for wireless radio control, powered directly from the mains. Suitable for use with the Lucy Zodion Vizion® CMS, the Vizion® DALI Node (Conduit) is available in HARLiCS/MoRLiCS compatible options for use with highway (HE) lighting networks.

Main Powered

The Vizion® DALI Node (Conduit) is powered directly from the mains to monitor and control any DALI, 0-10V or 1-10V Analogue controlled driver, via a 20mm conduit mounting. Capable of controlling non-DALI enabled Luminaires (On / Off only).



Benefits

The Vizion® DALI Node (Conduit) provides wireless radio control for street lighting luminaires. Can be internally or externally mounted via a 20mm fixing hole. Easy to install, with an onboard light sensor for photocell override. Suitable for Highways.

Better Control

Communicating 868 or 915MHz radio frequency, each DALI Node (Conduit) can be controlled and monitored remotely, with ease, once installed and commissioned.

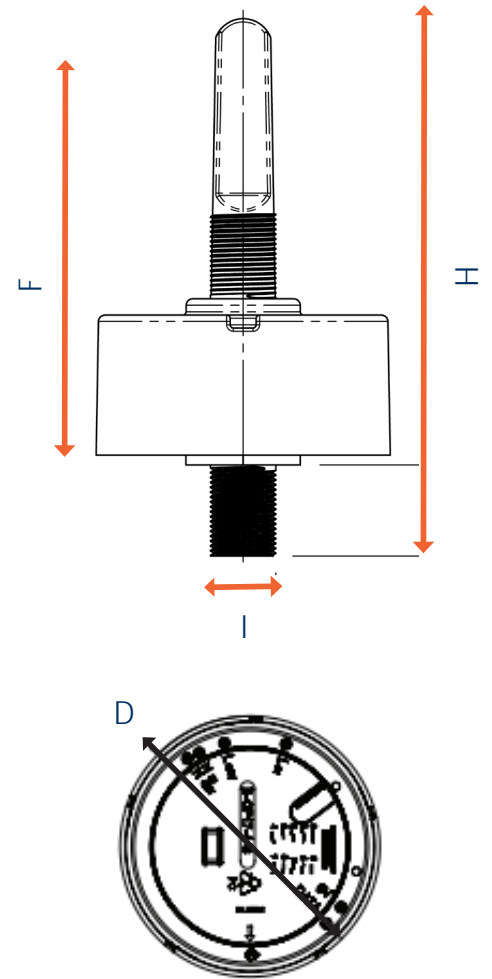
The unit has an internal light sensor for photocell control as by default, while offering abundant features that enable the control of lighting schemes.

DALI Node (Conduit)

20mm fixing hole DALI Node (Conduit)

Specification

Luminaire Thickness (Max)	6mm
Environmental Protection	IP66
Housing Material	Polycarbonate
Power Supply Requirements	220-250Vac 50/60Hz 10mA
Switched Output rating	4.5-4A @220 -250Vac
Switched Power (Max)	High Power 20 - 1000kW / 5 - 250w Low Power
Switched Load Type	LED
Dimming	DALI, 0-10v or 1-10v Analogue
Operating Temperature	-40°C to 70°C
Torque	1.5 to 1.8Nm
Internal Light Sensor	Yes (back up only)
Weight	194g
HARLICS/MoRLICS	Yes



Dimensions

Height (H)	168mm
Diameter (D)	Ø89.9mm
Height Fitted (F)	140mm or 83.85mm
Installation Part (I)	28mm

Part No	Product Name	RF (MHz)	Regions	Fitting	Power (W)
F6732	Vizion DALI Node Conduit M20 915 20-1000W	915	Aus/NZ	M20 Internal or External	20-1000
F6733	Vizion DALI Node Conduit M20 915 M20 5-250W	915	Aus/NZ	M20 Internal or External	5-250
F6736	Vizion DALI Node Conduit M20 868 20-1000W	868	UK/EU	M20 Internal or External	20-1000
F6737	Vizion DALI Node Conduit M20 868 5-250W	868	UK/EU	M20 Internal or External	5-250