

VIZION DALI Node (NEMA)

DALI NEMA node

Wireless street lighting control

The DALI Node (NEMA) is designed for street lighting luminaires with either 5 or 7 NEMA Connectors.

Simply plug the node into the socket, twist and lock for wireless radio control, powered directly from the mains. Suitable for use with the Lucy Zodion Vizion® CMS, the DALI Node (NEMA) is available with HARLiCS/MoRLiCS, compatible for use with highway (HE) lighting networks.

Simple Installation

Simply plug the node into the available socket, twist and lock.



Benefits

The Vizion® DALI Node (NEMA) provides wireless radio control for street lighting luminaires with 5/7 pin NEMA connectors. It has the following benefits:

- Easy to install
- Onboard light sensor for photocell override
- Suitable for highways

Better Control

Communicating via 868 or 915MHz radio frequency, each DALI Node (NEMA) can be controlled and monitored remotely, with ease, once installed and commissioned.

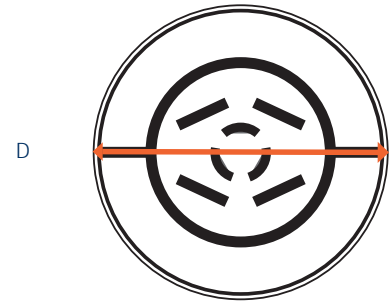
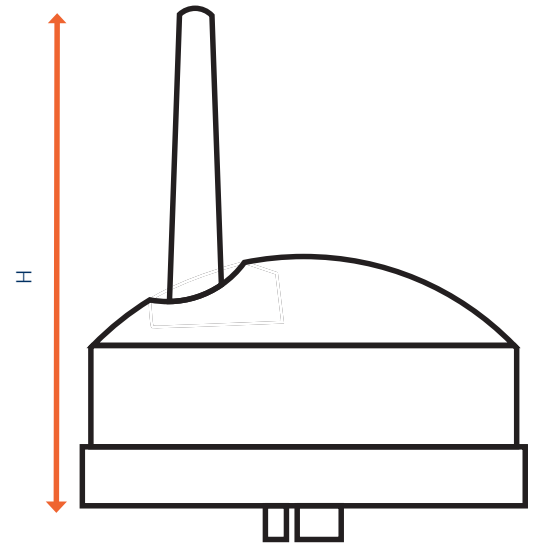
The unit has an internal light sensor for photocell control as standard, while offering abundant features that enable the control of lighting schemes.

VIZION

DALI Node (NEMA)

DALI Node (NEMA)

Specification	
Mounting	NEMA 5/7 Pin (ANSI C136.41)
Luminaire Thickness (Max)	N/A
Environmental Protection	IP66
Housing Material	Polycarbonate
Power Supply Requirements	220-250Vac 50 / 60Hz 10mA
Switched Output rating	4.5-4A @220 -250Vac
Switched Power (Max)	Low Power 5 - 250W / 20 - 1000kW High Power
Switched Load Type	LED
Dimming	DALI, 0-10v or 1-10v Analogue
Operating Temperature	-40°C to 70°C
Internal Light Sensor	Yes (back up only)
P'col	All
IP Rating	IP66
Weight	207g
Receptacle	Compatible with TE receptacle 2213362-4



Part No	Product Name	RF (MHz)	Regions	Fitting	Power (W)
F6731	Vizion DALI Node (NEMA) 868 5/7 Pin 5-250W	868	UK/EU	5/7 Pin NEMA	5-250
F6734	Vizion DALI Node (NEMA) 915 5/7Pin 20-1000W	915	Aus/NZ	5/7 Pin NEMA	20-1000
F6735	Vizion DALI Node 868 5/7 Pin 20-1000W	915	Aus/NZ	5/7 Pin NEMA	20-1000
F6738	Vizion DALI Node (NEMA) 868 5/7 Pin 20-1000W	868	UK/EU	5/7 Pin NEMA	20-1000

Dimensions

Diameter (D) Ø113mm

Height (H) 126mm